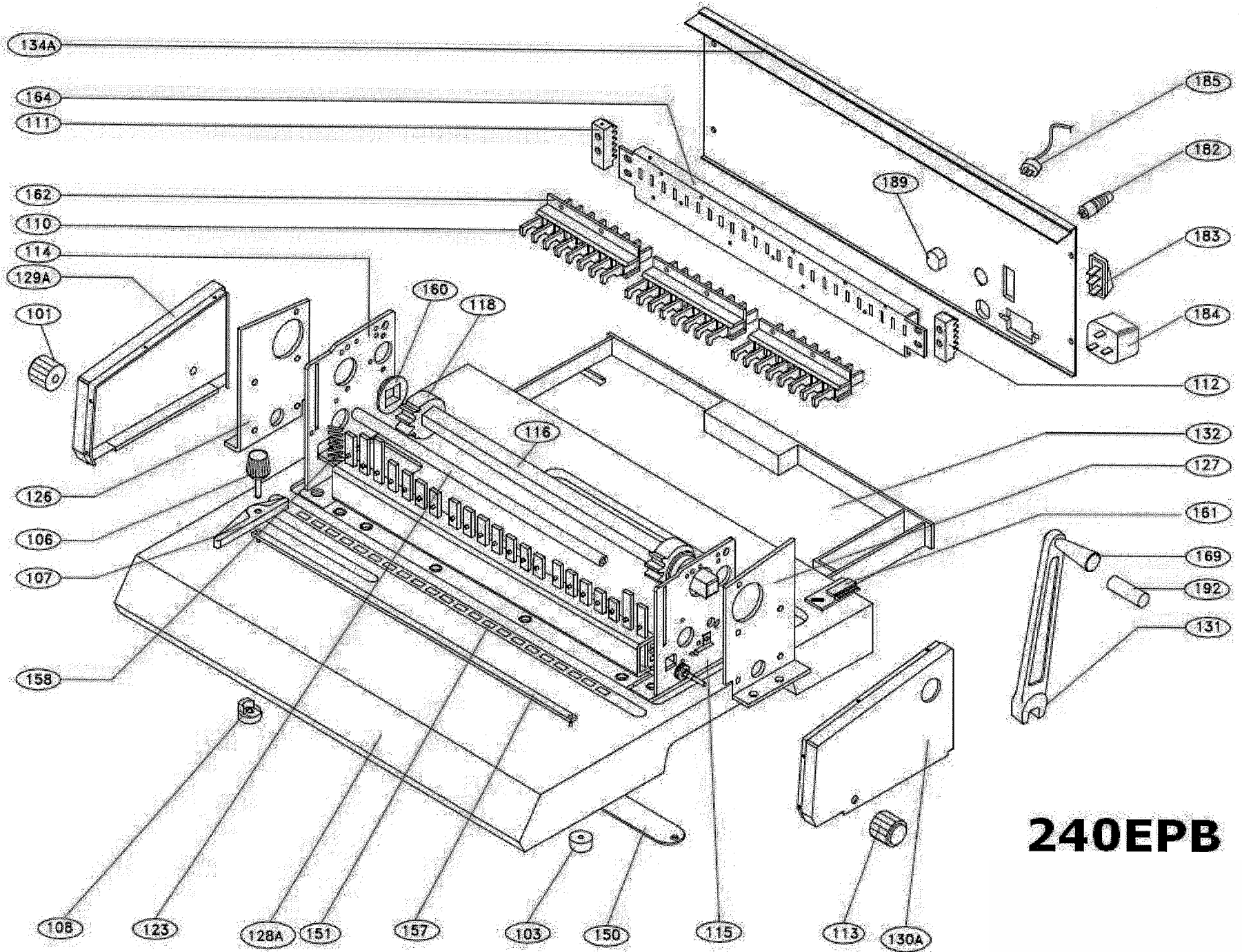
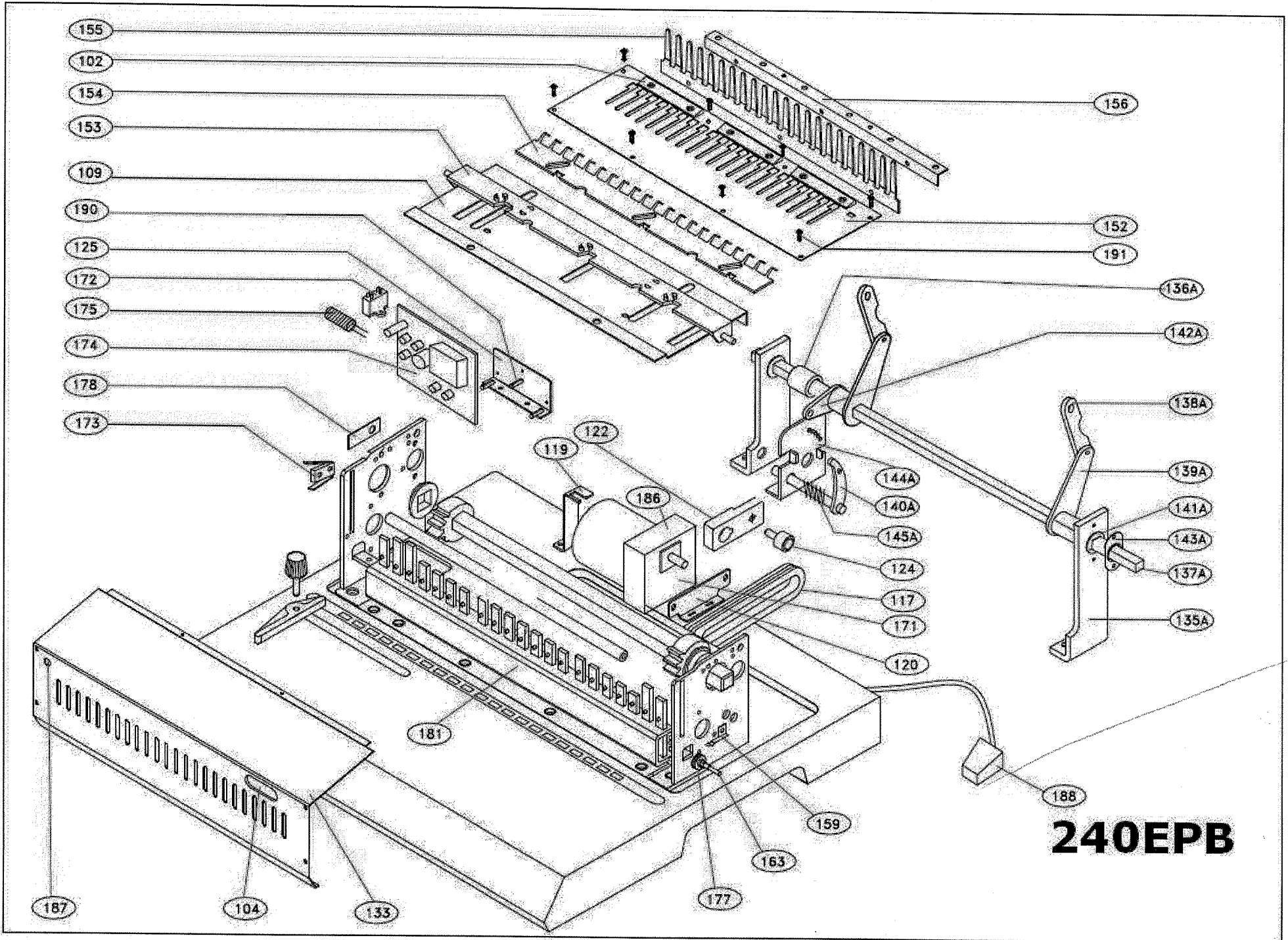


240EPB COMBO MENU

DRAWING NO.	PART NO.	DESCRIPTION	DRAWING NO.	PART NO.	DESCRIPTION	DRAWING NO.	PART NO.	DESCRIPTION
101	B-3	KNOB (L)	129A	GA-2A	COVER PLATE (L)	160	FD-38	BUSH
102	B-5	WEDGE	130A	GA-3A	COVER PALTE (R)	161	NH-B1	ADJUSTMENT PLATE
103	B-9	RUBBER FOOT	131	GA-4	HANDLE	162	NH-B2A	SET-PIN GUIDER
104	C-2	MARK PLATE	132	GB-1	DRAWER	163	NH-D3	STOP GUIDE AXLE
106	CB-3	PAPER STOP SCREW	133	GD-1	FRONT COVER	164	NH-D6B-1	BARCKET
107	CB-4	PAPER STOP GUIDE	134A	GD-2B	BACK COVER	169	GB-11	PLASTIC HOLDER
108	CB-5	PAPER STOP NUT	135A	GD-4	SUPPORT PLATE	171	EP-1	MOTOR
109	NH-D4A	GUIDE PLATE	136A	GD-3-2	SPACER	172	EP-1-1A	CONDENSER
110	NH-D8B	SET PIN	137A	GD-6A	SUB AXLE	173	EP-2A	OPTICAL S.W.
111	NH-D15N	RACK (L)	138A	GD-6-2-3	TRANSMISSION PLATE B	174	EP-15	P.C.B.
112	NH-D15BN	RACK (R)	139A	NH-D19A	TRANSMISSION PLATE	175	EP-15-1	COIL
113	EB-2	KNOB (R)	140A	NH-D35E	ADJUSTMENT AXLE	177	3LM-B4-1	GEAR
114	NH-D10A	BEARING BRACKET COMPLET (L)	141A	TB-8	BUSH	178	D-12S	SWITCH PLATE
115	NH-D11A	BEARING BRACKET COMPLET (R)	142A	NH-D19C	FIX PLATE	181	NH-KA	KNIFE SET
116	ED-12A	AXLE	143A	NH-D7-1A	FIRICTION PLATE	182	EP-16	FUSE SET
117	ED-13A	CRANK	144A	GD-9	GEAR B	183	EP-17	SWITCH
118	FD-13	TOOTH SEGMENT	145A	GD-11	ADJUSTMENT RACK	184	EP-18	SOCKET
119	ED-25N	MOTOR FIXED PLATE (REAR)	151	HC-1	ALIGNMENT SCALE	185	EP-31	POWER CORD
120	ED-25-1	MOTOR FIXED PLATE (FRONT)	152	HD-3	COVER PLATE	186	EP-1-1N	GEAR BOX
122	ED-31	TRANSMISSION PLATE	153	TC-16	SLIDE	187	EP-13	PILOT
123	ED-32A	SUPPORT POLE	154	KC-8	CARRIER	188	EP-11	FOOT S.W.
124	ED-35	BEARING	155	MD-7	RAKE	189	EP-30	POWER CORD
125	ED-36	P.C.B. SUPPORT RACK	156	MD-8	PLATE	190	RS-8	P.C.B. SPACER
126	ED-37A	SUPPORT BEARING BRACKET (L)	157	PD-10	PAPER STOP PAIL COMPLET			
127	ED-38A	SUPPORT BEARING BRACKET (R)	158	D-35B	SPRING			
128A	GA-1B	BASE BOARD	159	FD-32	W TYPE SPRING			



**240EPB**



**240EPB**