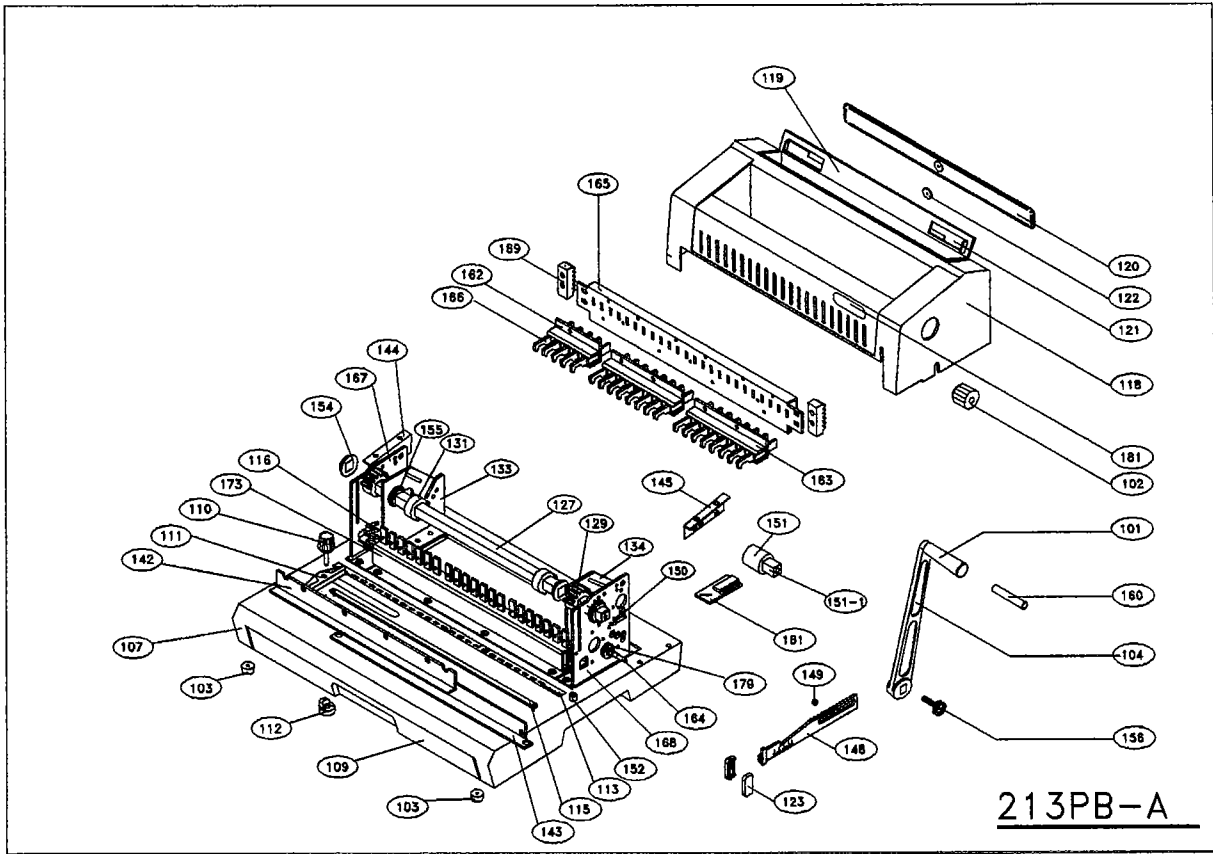


213PB COMBO MENU

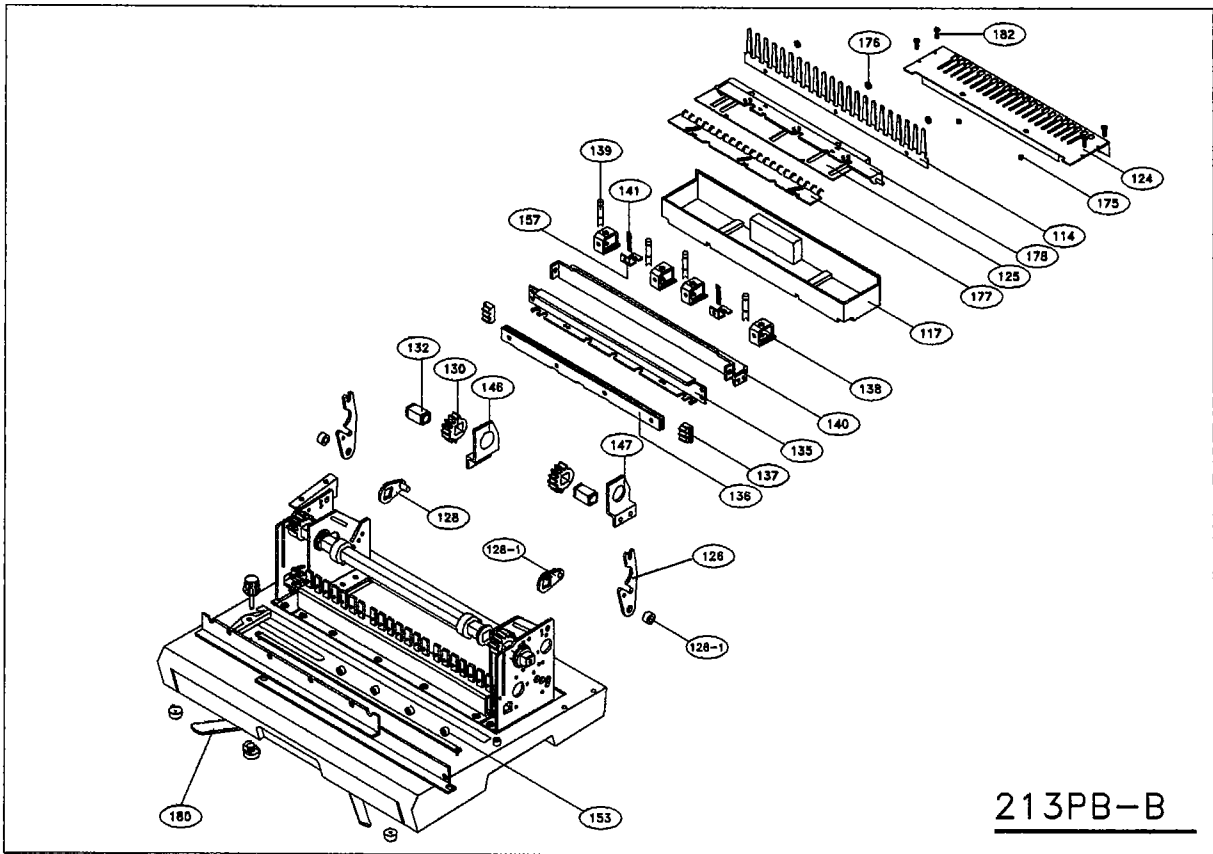
DRAWING NO	PART NO	DESCRIPTION	DRAWING NO	PART NO	DESCRIPTION
101	B-2	PLASTIC HOLDER	125	FD-2	GUIDE PLATE
102	B-4A	KNOB (RIGHT)	126	FD-9	SWING PLATE
103	B-9	RUBBER FOOT	126-1	FD-10	SPACER
104	BA-4A	MASTER ARM	127	FD-11-1	AXLE
107	CA-1A	BASE BOARD	128	FD-12A	TRANSMISSION PLATE(LEFT)
109	CB-1	WASTER DRAWER (FRONT)	128-1	FD-12A-1	TRANSMISSION PLATE(RIGHT)
110	CB-3	PAPER STOP SCREW	129	FD-13	TOOTH SEGMENT
111	CB-4	PAPER STOP GUIDE	130	FD-14A	SUB TOOTH SEGMENT 1
112	CB-5	PAPER STOP NUT	131	FD-15	SUB TOOTH SEGMENT 2
113	CB-21	ALIGNMENT SCALE	132	FD-16	SUB AXLE
114	D-7	RAKE	133	FD-17A	SUB BEARING BRACKET (L)
115	CD-25A	PAPER STOP RAIL COMPLET	134	FD-17A-1	SUB BEARING BRACKET (R)
116	D-35A	SPRING	135	FD-18	SUB BRACKET
117	FB-1	WASTER DRAWER (BACK)	136	FD-19	DEPRESS PLATE
118	FB-2	COVER	137	FD-19-A	RACK (S)
119	FB-2-1	PAPER FEEDER	138	FD-20	ROUND KNIFE SET
120	FB-2-2	PLASTIC PLATE	139	FD-20-1	ROUNF KNIFE
121	FB-2-3	GAUGE RULER	140	FD-21	KNIFE SET PLATE
122	FB-2-4	TOOTH SEGMENT	141	FD-22	SUB SPRING
123	FB-3	CAP	142	FD-23-1	TOP PRESS PLATE
124	FD-1A	COVER PLATE	143	FD-24A	BOTTON PRESS PLATE

213PB COMBO MENU

DRAWING NO	PART NO	DESCRIPTION	DRAWING NO	PART NO	DESCRIPTION
144	FD-26	BRACKET (LEFT)	166	NH-D8B	SET-PIN
145	FD-27	BRACKET (RIGHT)	167	NH-D10B	BEARING BRACKET (LEFT)
146	FD-28	REINFORCE PLATE (LEFT)	168	NH-D11B	BEARING BRACKET (RIGHT)
147	FD-29	REINFORCE PLATE (RIGHT)	169	NH-D15	RACK
148	FD-30	W STOP PLATE	173	NH-K1	KNIFE SET
149	FD-31	SPACER	175	TB-10	PAD
150	FD-32	SPRING	176	TB-12	PAD
151	FD-34	AXLE BUSH	177	TC-8	CARRIER
151-1	FD-34-1	AXLE	178	TC-16	SLIDE
152	FD-35A	SPACER	179	SLM-B4-1	GEAR
153	FD-42	SPACER	180	CD-26	DRAWER PLATE
154	FD-38	BUSH (PLASTIC)	181	C-2	MARK PLATE
155	FD-39A	BUSH (PLASTIC)	182		SCREW
156	FD-40	AXLE CAP			
157	FD-41	SPRING RACK			
160	I-10	IRON TUBE			
161	NH-B1	ADJUSTMENT PLATE			
162	NH-B2	SET-PIN GUIDER			
163	NH-B2A	SET-PIN GUIDER			
164	NH-D3A	STOP GUIDE AXLE			
165	NH-D6A	BRACKET			



213PB-A



213PB-B